

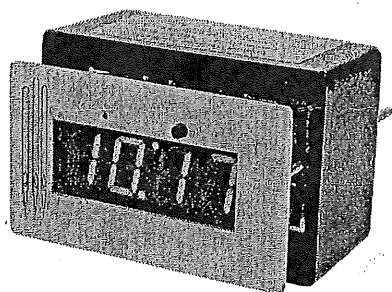
Console Clock - Program Timer

The Console Clock – Program Timer provides precision time keeping with the added convenience of an accurate program timer. Features include:

- Easily read, self illuminated display of hours and minutes.
- A flashing indication of seconds.
- Time of day retention without batteries.
- Standard line voltage operation.
- Small console footprint.
- Easy installation – no tools required.
- Times events in minutes and seconds up to an hour.
- Easy and simple front panel push button operation.
- Polished brass front panel with a non-reflective filter.
- The stand-alone version is available in a contemporary wooden enclosure in variety of species.

Specifications

Front Panel Size:	3" Wide x 1.75" High x 2" Deep x 0.062" Thick
Console Cutout Size:	2.625" Wide x 1.375" High
Mounting Panel Thickness:	0.625" - 1.125"
Display Size & Type:	0.5" Hi-Intensity Red LED
Accuracy:	+/- One minute in six months
Input Voltage:	105 -128 VAC, 60hz
Input Power:	Maximum -1.8 Watts
Data Retention:	Minimum – 8 Minutes
Operating Temperature:	40 – 120 Deg. F
Operating Humidity:	98% RH No Condensation



Installation

Console Mounting: The unit is shipped with a plastic enclosure held by two brass finger nuts. Remove the nuts and the enclosure. Insert the clock module in the cutout on the console and slide the enclosure over the two studs from the back. Loosely attach the enclosure with the two brass nuts. Align the clock in the console then tighten the nuts using only finger force. Plug the small wall transformer in to an uninterrupted source of AC power. The wire from the wall transformer has a DC plug that fits into a jack located in the large hole on the back of the enclosure. Insert the plug into the jack.

Operation

Power On or Power Failure Longer Than 8 Minutes

Display: "05|" with colon flashing once a second
[or]
Display: "00:00" with colon on
Action: Set the time



TOOL - PAPER CLIP

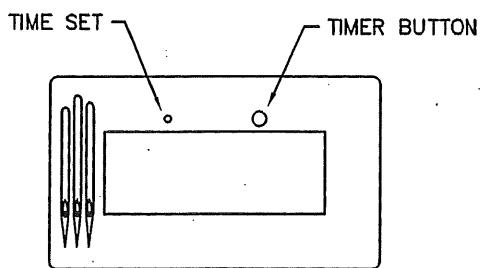
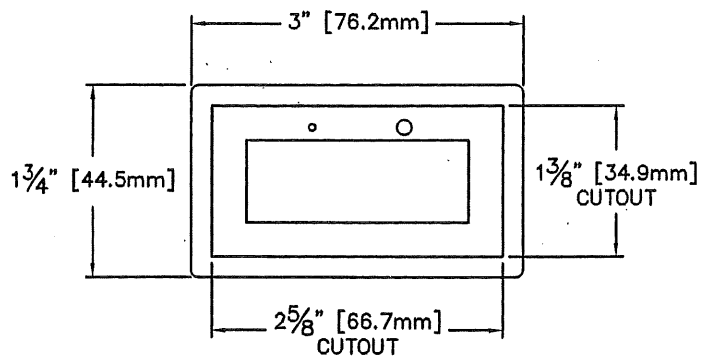


FIGURE 1.



CONSOLE CLOCK CUTOUT

Setting the Time - A simple tool is required to set the time. See Figure 1 for details about the tool and the push-button locations.

Action: Insert the tool into the small hole above the display and press once
Display: "HH:MM" flashing
Action: Press then release the timer button until *hours* are set
Display: "HH:MM" flashing
Action: Insert the tool into the small hole above the display and press once
Display: "HH:MM" flashing
Action: Press then release the timer button until *minutes* are set
Display: "HH:MM" flashing
Action: Insert the tool into the small hole above the display and press once
Display: "HH:MM" time of day with colon flashing once a second

Action: None required if the correct time is set

Using the Timer

Action: Press then release the timer button

Display: "00:00" with colon on

Condition: Timer is reset to zero

Action: Press then release the timer button

Display: "MM:SS" with colon on

Condition: Timer counts elapsed seconds and minutes

Action: Press then release the timer button

Display: "MM:SS" with colon on

Condition: Timer holds the elapsed time

Action: Press then release the timer button

Display: "HH:MM" time of day with colon flashing once a second.

Action: None required - time of day

Condition: Timer count exceeds one hour

Display: "HH:MM" time of day with colon flashing once a second.

Action: None required - time of day