

Dynatrem™

The modern approach to pipe organ tremolo



AC control box switches 117 VAC outlet with stop tab.



- Connects easily to virtually any reservoir.
- Symmetrical sharp & flat tremolo stays in tune.
- Uses no wind.
- Low cost.
- Compact size.
- Very quiet.

The Peterson Dynatrem™ represents a fresh approach to providing pipe organ tremolo. With this modern concept there is no need for extra wind capacity, muffler boxes, reservoir weights, or resonance adjustments that are usually associated with conventional tremolo units.

The Dynatrem causes air pressure variations both above and below regulated pressure, producing a pleasing, smooth tremolo. Tremolo speed and depth are easily adjustable. Because reservoir weights are not ordinarily needed for proper tremolo operation and only a small part of the weight of the Dynatrem itself is supported by the reservoir top, regulation can be made much more responsive. Often the performance of a reservoir with an existing tremolo can be greatly improved by substituting a Dynatrem.

The Dynatrem is also easily adapted to inverted reservoirs such as Schwimmers. In this case the



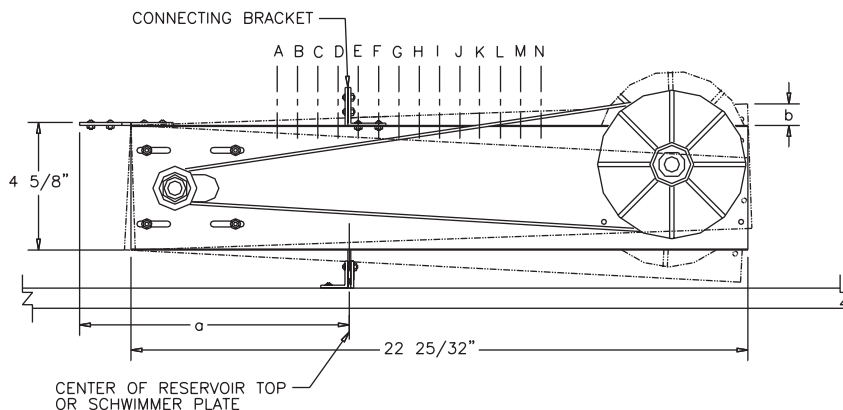
Standard connecting hinge.



Schwimmer connecting hinge.

Dynatrem is mounted beneath the chest and a small, easily disconnectable linkage is connected to the Schwimmer plate.

The patented Dynatrem (U.S. Patent # 4,319,513) is supplied with an AC Control Box ready to be connected to the tremolo stop at the console. The Control Box must be plugged into a live 117 Volt AC outlet by means of the line cord provided. An optional step-down transformer is available for use with 220 VAC nominal line current.



OVERALL DIMENSIONS : 4 5/8" x 4" x 22 25/32" LONG